

# GREAT TO MEET YOU!

## LetPot Lite Hydroponics Growing System



**LPH-Lite**  
(Version: LPH42-Black)

\*You can download the manual on [www.letpot.com](http://www.letpot.com)  
Feel free to contact us if you have any questions: [service@letpot.com](mailto:service@letpot.com)



# Contents

1.WHAT'S IN THE BOX P1

2.FUNCTIONS OF THE TOUCH PANEL ★ P2

3.HOW TO SET UP YOUR LITE ★ P3

4.HOW TO CONNECT THE APP ★ P5

5.FAQS ★ P6

6.HOW TO CARE AND MAINTANCE P10

7.SAFETY INFORMATIONS P11

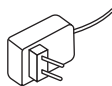
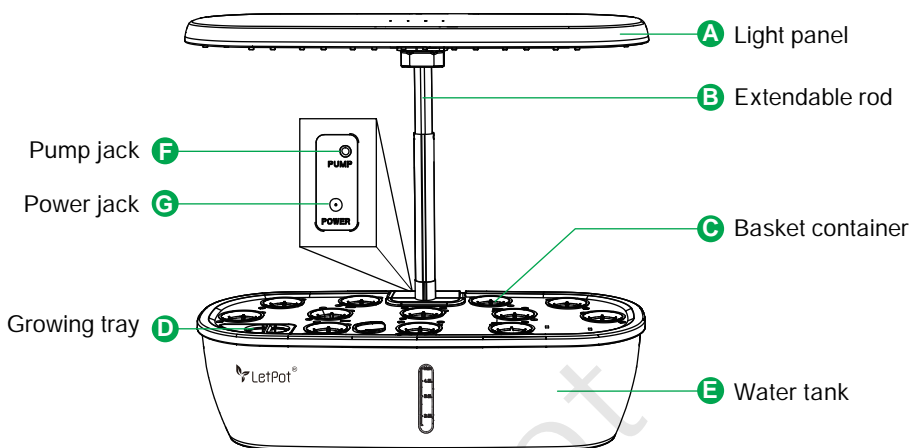
8.CUSTOMER SERVICE ★ P11

9.WARRANTY & REFUND POLICY P12

10.GARDENING TIPS P13

11.JOIN OUR COMMUNITY P16

# 1. WHAT'S IN THE BOX



Plug Adapter



Sponge x12



Basket Kit x12



Germination Cover x12



A Solid Nutrient



B Solid Nutrient



Tag x6



Light-blocking Sticker x12



Support Rod x12



Shade Cover x6

## 2.FUNCTIONS OF THE TOUCH PANEL (On the top of the light panel)



Power

**Power on/off:** When the device is powered on for the first time, it defaults to the off state, and the "Power" button's light flashes. Press the "Power" button to enter the working mode, where the "Power" button's light stays on.

If you haven't set the light on time via the App, the LED light will turn on for 16 hours and then automatically turn off for 8 hours after the "Power" button is pressed, cycling every 24 hours. You can set the exact on/off times of the light via the App. It is recommended to keep the light on for at least 10-12 hours a day for better plant growth.



Veg / Flower

### **Switching Between Veggies & Herbs or Flowers & Fruits Light Mode:**

Press this button to switch between different light modes to meet the needs of different plants. In 'Veggies & Herbs' mode, the red, blue, and white lights are on, with the button light stay on solid.

Press the button again to switch to 'Flowers & Fruits' mode, where only the red and white lights are on, and the button light remains off.



Brightness

### **Switching Between Low and High Brightness:**

Press this button to switch between different brightness levels. In Low mode, the 'Brightness' button light flashes, while in High mode, the button light stays on solid. If it is currently within the period of light-off, the button light will be off.

During the seedling and germination stages, you can choose Low brightness. However, once the plants have grown 2-3 leaves, it is recommended to switch to High brightness.



Pump / Wifi

**Wi-Fi:** Press and hold this button for 3 seconds to reset the device to factory settings and enter Wi-Fi pairing mode. You can then search for and connect your device using the LetPot App (see Section 4 for how to connect the device).

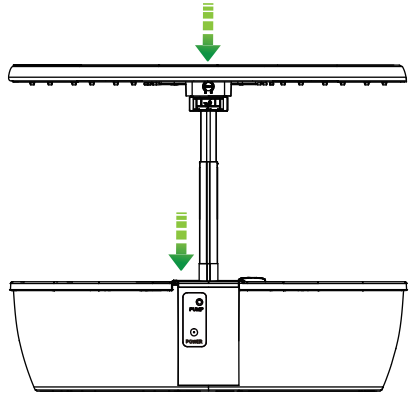
**Pump:** A single press of this button turns the pump on or off. The pump operates automatically for 30 minutes and then rests for 30 minutes each time the device is powered on.

Solid button light indicates the pump is working.  
Flashing button light indicates the pump is resting.  
Button light off indicates the pump is off.

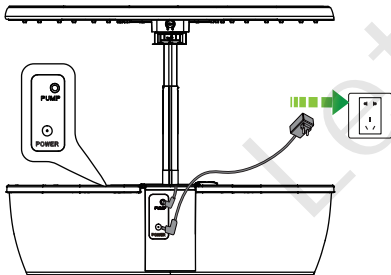
### 3.HOW TO SET UP YOUR LITE

- 1** Install the grow light panel and make sure to press down firmly to secure the light panel with the pole.

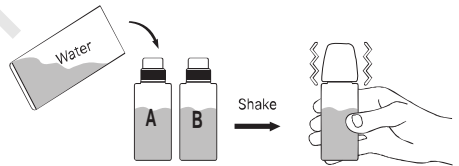
Insert the light panel and pole into the slots on the water tank.



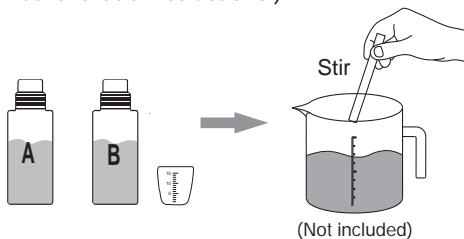
- 2** Insert the power cord of the water pump into the DC jack on the back of the water tank, and then plug in the power adapter.



- 3** Fill each bottle of nutrients with 100ml pure water and shake to mix them well.

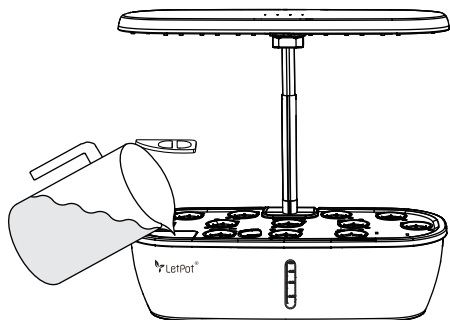


- 4** When nutrients A and B dissolves completely, pour 25ml nutrient A and 25ml nutrient B (measure by the cap of the nutrients bottle) into a vessel with 5 liters water and mix thoroughly. (You can also add water gradually according to the nutrient ratio instructions.)

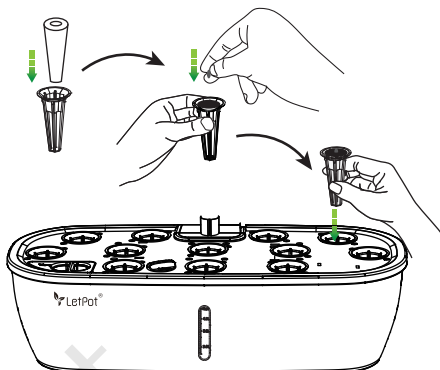


Water	Nutrient
1L	5ml A + 5ml B
2L	10ml A + 10ml B
3L	15ml A + 15ml B
4L	20ml A + 20ml B
5L	25ml A + 25ml B

- 5** Pour the nutrient water into the LPH-LITE's water tank (It is recommended that the initial water addition should not exceed 5.5 liters).



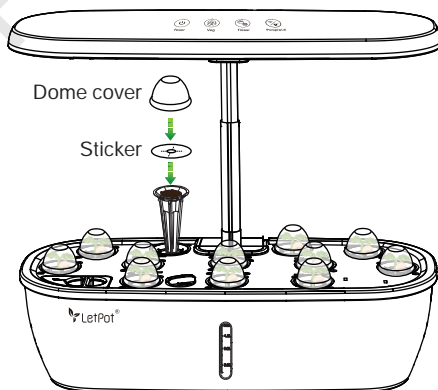
- 6** Put the sponges into the white baskets and then insert them into the pods of the growing tray, 2-3 seeds in each sponge are the best.



- 7** Cover the white plastic baskets with light-blocking stickers and seedling domes to wait for germination. Turn on the lights and adjust the height of the light panel to the lower position when germinating (approximately 4-5 inches away from the plants). You can remove the dome cover after the seeds have grown 2-3 leaves.

**\*Note:**

Remove the small dot in the middle of the sticker.



**NOTE**

LetPot lamp panel adopts a full-spectrum plant light with real power, the light is relatively strong. Do not stare directly at the lamp panel for a long time.

## Nutrients Ratio Operation Guide:

This nutrient EC ratio is suitable for most plants' growth. Please refer to the following guide to prepare the nutrient and water. Excessive nutrients will harm the plants. You can also use an EC tester to measure the nutrient concentration (EC) and adjust the ratio according to your needs if you are an experienced expert.

Water/Nutrient proportion \_\_\_\_\_

Water	Nutrient
1L	5ml A + 5ml B
2L	10ml A + 10ml B
3L	15ml A + 15ml B
4L	20ml A + 20ml B
5L	25ml A + 25ml B

### A Solution Composition

Total N	11.0%
Soluble P2O5	9.0%
K2O	30.0%
MgO	2.0%
EDTA-Fe	0.3%
EDTA-Mn	0.06%
EDTA-Cu	0.005%
EDTA-Zn	0.01%
B	0.1%

### B Solution Composition

Total N	12%
CaO	15%
MgO	5%

## 4. HOW TO CONNECT THE APP

### 1. Install LetPot app. (App is for free)


1.1 You can scan this QR code or directly search LetPot on Apple store or Google play.

1.2 Open and sign up / login the LetPot APP, then follow the guidelines below to add your LetPot.

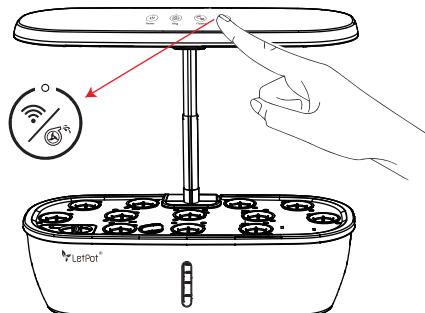


#### NOTE

If the APP store requires mobile phone authorization is because the APP has the free function of plant diary that needs to take pictures. This authorization is only for the use of the APP.

2. Long press  button for 3 seconds, the device will make a long beep sound and come to "scan mode" for Wi-Fi connection.

3. Open the LetPot APP and follow the guidelines to setup the network.



### Device & Common Issues:

#### 1.LED Light Malfunction:

The LED lights are programmed to turn on only during the set time intervals. Please verify if the current time falls within these intervals, and check that the connection between the light pole and the base is secure. If your LED light is malfunctioning, send us a picture, and we will resolve the issue as soon as possible.

#### 2.The Circulation Pump of the Water Tank Doesn't Work & Pump Malfunction:

For LetPot hydroponic devices, water shortage is monitored by detecting the pump's rotation speed. If the pump is not operating normally, the system will report a water shortage or pump failure, and the app will display a warning.

If the app reports a pump error, please check that the pump connector is fully inserted. You can also try unplugging and reconnecting the pump.

For newly purchased LetPot devices, please **fill the tank with water before powering it on**. You may need to press the button to turn the pump off and back on several times — some new pumps may require a few restarts to begin functioning properly. If your pump still doesn't work, please contact us, and we will resolve the issue promptly.

#### 3.Unable to Connect to Router & Wi-Fi Connection Issues:

Check for these common issues when unable to connect to Wi-Fi:

1.Ensure the Wi-Fi password is correct. Pay attention to the case sensitivity and length of your password. You can verify the password by trying to connect to the Wi-Fi with your phone.

2.Our devices only support 2.4Ghz Wi-Fi networks. If you have a dual-band router, please consult your router service provider to split different SSIDs and passwords for the 2.4Ghz and 5Ghz networks. Then, select the 2.4Ghz network on the device's Wi-Fi search page in the app to connect.

3.Try connecting the device to a different Wi-Fi network or create a hotspot with your phone to test the connection. If you still can't connect, please reach out to us via the app or our service email, and we'll help you out ASAP!

#### 4.False Water Shortage Alarm and the beep sound

LetPot monitors water and nutrient levels by detecting pump speed. If the pump isn't working properly, the app will show a pump or nutrient shortage warning. If a water shortage is detected, the buzzer beeps and the pump stops, then restarts after 3 minutes. You can turn off the buzzer in the app.

For new devices, fill the tank before powering on. Try turning the pump off and on a few times — some new pumps need several restarts to begin working.

## 5. Inaccurate Light Timer / Light Turns Off After a Few Seconds

Please make sure your device is connected to Wi-Fi. Once connected, it will automatically sync with your phone's time. The grow light will only turn on during the set lighting schedule.

If it's outside the scheduled time, the brightness button's indicator light will turn off, meaning the light is off by default.

During the first sync, it may take a few minutes — the light might temporarily turn off during this process.

You can check the current device time in the app:

Go to the **Device Control** page → tap the **Settings** button in the top-right corner → find **"Device Time"** to confirm whether it matches your phone's time. If not, tap **"Sync Now"** to align the device time with your phone.

## 6. Unable To Detect the Device Via Bluetooth:

- Please make sure your LetPot device is powered on properly and is in pairing mode.
- Ensure that **Bluetooth and Location services are enabled** in your phone's system settings, and that the **LetPot App has permission** to access both.

These are required for the LetPot App to search for and connect to the device via Bluetooth.

If you're still experiencing issues, please record a **10-second video** showing the LetPot device powered on, and include the following:

- Your phone's Bluetooth and location permissions are enabled
- Bluetooth remains on during the process

## 7. My package is missing parts

Don't worry, we've got you covered! If your package is missing parts, simply drop us a line at [service@letpot.com](mailto:service@letpot.com) or use the contact service in the App. We'll get back to you pronto. To help us help you faster, please provide the name of the missing item (you'll find this in the paper manual), your order number, and your shipping address. We'll have the missing parts on their way to you within 48 hours.

## Plants / Other Issues:

### 1. My sponge has green algae and mold? How can I prevent this?

Algae and mold issues usually occur due to lack of shading stickers or poor seed quality. By affixing shading stickers on the white plastic baskets, you can effectively avoid this problem.

If the plants are still small, you can try to replant by following these steps:

1. Remove the old plants, thoroughly drain and rinse the water tank, discard all sponges or plants that have come into contact with mold/algal growth, and clean the used planting baskets and lids. Keep all accessories used in the system clean and place new sponges into the baskets.
2. Plant 2-3 seeds in each new sponge.
3. Apply green shading stickers (this helps prevent algae growth).
4. Cover with a transparent seedling cover (this helps maintain humidity and moisture during the germination stage).
5. Position the light panel 4-6 inches above the plants.
6. Remove the transparent seedling cover when the seeds have 2-3 leaves. For larger plants like tomatoes, keep only the best-growing seedling in each sponge. For smaller plants like vegetables, keeping 1-2 seedlings per sponge is sufficient.
7. As the plants grow taller, adjust the height of the light panel to maintain about 6 inches of distance from the plants.

If your plants are already mature, you can use a cotton swab dipped in hydrogen peroxide and then apply it to the surface of the sponge where algae or mold is growing, which can eliminate and suppress the growth of mold.

### 2. Only a few plants are growing & my plants have wilted:

The quality of seeds plays a crucial role in plant growth. For the best results, we recommend purchasing seeds from reputable brands and supermarkets, ensuring the growth temperature of the plant is suitable for your current environment. You can store seeds in the fridge or a cool place. Here are our recommendations for choosing seeds:

- A. When buying seeds, please check the expiration date.
- B. Avoid purchasing and using white or green seeds. Look for quality seeds in darker colors, like gray, brown, or black.
- C. Check the surface of the seeds. Look for seeds that appear glossy and reflect light. They should also have a sturdy and smooth texture.
- D. Consider the symmetry and shape of the seeds. Look for symmetric and teardrop-shaped seeds, as irregular or uneven shapes may indicate poor quality or immaturity.

Wilting could also be caused by too high nutrient concentration. Make sure the ratio of nutrient solution to water is correct to avoid too high nutrient concentration. Also, keep the LED light panel about 4-6 inches from the plants. If you're unsure of the cause of wilting, you can send us pictures or ask other members in the LetPot community, and we'll be very happy to help.

### **3.Can sponges be reused?**

We do not recommend reusing sponges as they may not be as effective as the first use. Furthermore, reusing old sponges may introduce bacteria and potentially lead to disease. However, to support environmental sustainability, the white baskets and transparent shading covers can be reused after thorough cleaning. You can also purchase economical and efficient sponge refill packs at a discount from our official website [www.letpot.com](http://www.letpot.com) or the store where you purchased the hydroponic system.

### **4.Can I transplant the sponge and hydroponic system plants into the soil?**

When the roots of the plants are well developed (visible white roots extending from the sponge), you can transplant them from the hydroponic system to other pots or garden soil. All our sponges are made from biocarbon materials, which are degradable in soil and will not harm the environment. Therefore, transplanting the plants with the sponge can improve the survival rate. Please ensure to minimize trimming and damage to the roots when removing the sponge from the white basket, so the plants remain in good condition.

### **5.Will My Settings Be Saved After a Power Outage?**

Once you successfully connect your hydroponic system to Wi-Fi, your settings will be retained even after a power outage. However, if your system is not connected to Wi-Fi and the app, it will revert to default settings after losing power.

### **6.When Should I Add Nutrient ?**

You only need to add nutrient solution when adding water, following the nutrient formula provided. Be careful not to overconcentrate the nutrients. You can also use an EC meter to adjust the EC concentration.

## 6.HOW TO CARE AND MAINTANCE

### 1.Does the water pump need cleaning? How to clean the pump?

Under normal use, the pump does not need regular cleaning. We recommend cleaning the pump and its filter sponge after at least six months of use. If you want to clean the pump, follow these steps:

Step 1: Turn off the power and unplug the power cord.

Step 2: Press the clasp on the side of the pump and open the pump cover.

Step 3: Remove the sponge in front of the pump and rinse it with clean water. Avoid using cleaning agents as they may disrupt the nutrient balance. If the sponge is very dirty, you can also consider soaking the entire pump in clean water and gently shaking it to remove any debris and rinse the whole pump.

Step 4: Reassemble the components and restart the machine.

If you need instructions for disassembling the pump for deep cleaning, please contact us or check our Youtube video.

### 2.How to Clean My Water Tank:

If you notice dirt or debris inside the water tank, we suggest wiping the interior with a soft, damp cloth or wet wipe. Then, turn off the power and unplug the power cord, remove the light board and the telescopic rod, and rinse the tank with clean water. Avoid using any cleaners as they may negatively impact plant growth. During cleaning, ensure that the light board, telescopic rod, and power interface do not come into contact with water to prevent circuit damage.

Please note that it's important to read and follow the complete user manual for proper assembly, operation, and installation of the product. If you have any further questions or encounter any issues, feel free to contact us through our APP or by sending an email to [service@letpot.com](mailto:service@letpot.com) and [hello@letpot.com](mailto:hello@letpot.com). We are dedicated to providing prompt assistance and ensuring that every customer has a satisfying growing experience.

## 7.SAFETY INFORMATIONS

Please ensure that you read and fully comprehend the entire manual before attempting to assemble, operate, or install the product.

-Avoid excessive use of solid fertilizers on the plants. Do not freeze or expose the product to direct sunlight. This product is suitable for indoor use only. Keep nutrients out of the reach of children to prevent accidental ingestion.

-It is important not to look directly at the LED light source. To protect your eyes, the design of the LED light board is slightly inclined downward. Please refrain from attempting to service the LED modules used in this luminaire.

-Prior to use, inspect the product for any cracks, breakages, or missing parts. If any such issues are found, do not use the product.

-This product is designed to operate within a temperature range of 41°F to 104°F (5°C to 40°C). Prolonged exposure to extreme temperatures may reduce the service life of the product.

-To avoid puncturing or damaging the cord, do not anchor it with staples, nails, or similar objects.

-Do not cover the product as it may cause the light to overheat or ignite.

-Regularly check the light and power cord insulation for any damage. Do not use the product if there is any damage to the light or power cord insulation.

-Avoid installing the lighting near flammable liquids.

## 8.CUSTOMER SERVICE



Hey there! At LetPot,we're always here for you. Whether you're having trouble with our products, need help with gardening tips,or just want to vent about life-we've got your back (and your product).

And hey, if our customer service team doesn't solve your concerns,don't sweat it!You can always hit up our marketing manager(aka User friendly manager), Rex. He's like the Batman of LetPot-always ready to swoop in and save the day. Shoot him an email, and he'll make sure your troubles disappear faster than the light speed!

Customer service:

[service@letpot.com](mailto:service@letpot.com)

[hello@letpot.com](mailto:hello@letpot.com)

Exclusive manager service:

[rex@letpot.com](mailto:rex@letpot.com)

## 9:WARRANTY & REFUND POLICY

At LetPot, we strive to ensure that our customers are completely satisfied with their purchases. However, we understand that there may be occasions where you need to return a product. That's why we've created this return policy to provide you with clear guidelines and procedures for returning items. Please read this policy carefully to understand your options and how we can best assist you.

### **Refund Policy:**

All LetPot products have a 30-day worry-free return policy and 1 year warranty. To be eligible for a return, your item must be in the same condition that you received it, unworn or unused, with tags, and in its original packaging. You'll also need the receipt or proof of purchase.

### **How To Start A Return:**

Contact us at [service@letpot.com](mailto:service@letpot.com). We'll send you a return shipping label, as well as instructions on how and where to send your package. Items sent back to us without first requesting a return will not be accepted.

### **About The Refunds:**

We will notify you once we've received and inspected your return, and let you know if the refund was approved or not. And you'll be automatically refunded on your original payment method. Please remember it can take some time for your bank or credit card company to process and post the refund too.

We're committed to putting our customers first and ensuring that you have the best possible experience with our products and services. If you have any questions or concerns about our return policy, please don't hesitate to contact us ([service@letpot.com](mailto:service@letpot.com)). Our customer service team is available to help you with any issues you may encounter, and we'll do everything we can to make sure that you're completely satisfied with your purchase. Thank you for choosing LetPot, and we look forward to serving you in the future.

## 10.GARDENING TIPS

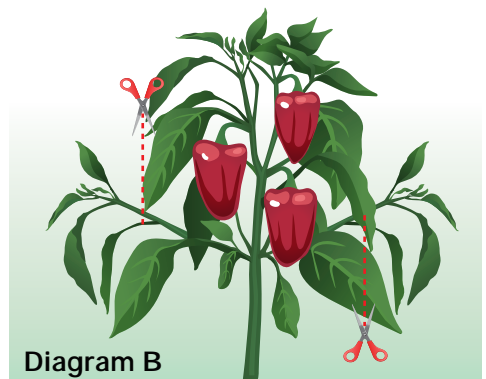
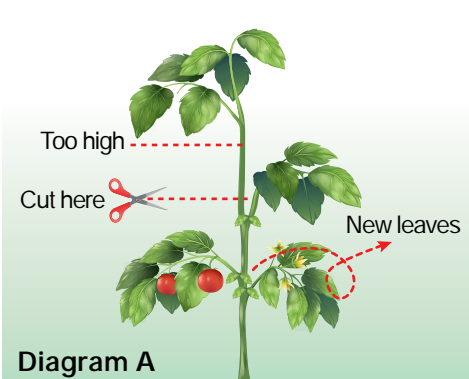
### About germination:

What types of seeds can be grown in a hydroponic system?

1. Most seeds can be grown and germinated using a hydroponic system, as long as the plants are suitable for the current environmental temperature and season.
2. Place 2-5 seeds per sponge. Some fast-growing plant seeds will germinate in less than 24 hours, while others may take 1-7 days or even 1-4 weeks to germinate. Different plant characteristics are related to their growth.
3. By covering the seeds with blackout stickers and using seedling covers, you can create a miniature daily greenhouse that helps the plants germinate faster. Remove the cover when the plant has developed 2-3 small leaves.

### About pruning:

1. For optimal results, prune your plants (Diagram A) to maintain their height instead of keep raising the light panel. Pruning not only ensures that your plants remain compact and at an appropriate distance from the light panels but also enables them to mature properly and receive ample light for flourishing.
2. Prune regularly to maintain a healthy garden, but avoid trimming more than 1/3 of each plant at a time.
3. Plants compete for light, and faster-growing plants can overshadow their slower-growing neighbors, hindering their growth. Trimming spreading leaves (Diagram B) is necessary to ensure that slow-growing plants receive sufficient light to thrive and yield bountiful harvests.
4. Pruning also means harvesting! Each time you prune, you can enjoy fresh vegetables in salads, soups, or pizzas. A compact and healthy garden looks much better than an unruly mess of oversized and spindly plants. So, be bold and embrace pruning!



## **Plant support:**

If you are growing climbing plants or big plants such as beans, tomatoes, peppers, or other flowering plants, it is recommended to use plastic stakes for support. This ensures that the plants grow upright, maintaining a tidy and healthy APPEARANCE.

Additionally, it prevents larger plants from overshadowing nearby smaller plants, allowing all plants to receive sufficient light. It is advisable to install the stakes before the plants require support, enabling them to grow and thrive alongside the stakes.

## **Pollinating:**

When the fruit-bearing plants (tomatoes, peppers, strawberries, eggplant, cucumbers etc.) start blooming, we suggest that you do hand pollination to help your plants improve crop yields.

To pollinate, use one or more of the following methods according to the situation of your plants:

1. Place a fan near your plants and the moving air will pollinate your plants.
2. Use fine brush or cotton swab to dab the pollen from the stamens and apply it to the pistils.
3. Place an open hand inside plant branches, and gently move your hand back and forth to shake the plant and spread the pollen. Do this carefully to prevent injury to the plant and inflorescence.

## **Where to place your garden:**

1. On a sturdy, water-tolerant surface and it's recommended that placing beyond the reach of children or pets. In a 59°F-86°F (15-30°C) environment (optimal).
2. Away from direct sources of heat (stove, furnace, vents, etc) or cold (window drafts, A/C vents, etc).

## **About Harvesting:**

The garden kit is most effective when using a harvesting technique known as "cut and come again." In essence, you enjoy frequent small harvests and allow the plants to regrow for subsequent harvests. For the first month or two, it is recommended to enjoy frequent smaller harvests until the plants mature and provide larger harvests.

Harvest regularly to maintain a healthy garden, but remember to never take more than 1/3 of each plant at a time. For most salad greens, trim 2 inches off the top of each plant, or individually harvest large leaves by cutting them at the base of the plant.

Below, we have provided a list of optimal temperatures and lighting times for reference. Different plant families have varying growth requirements concerning air humidity, ventilation, and nutrient conditions.

Plant	Optimal temperature	Lighting time	Distance from light panel
Basil	15-28°C/59-82.4°F	16-18h	4-6inch
Coriander	17-20°C/62.6-68°F	14-16h	4-6inch
Rosemary	15-20°C/59-68°F	16-18h	4-6inch
Peppermint	25-30°C/77-86°F	18-24h	2-8inch
Cherry tomato	18-28°C/64.4-82.4°F	14-16h	4-6inch
Thymus vulgaris	20-25°C/68-77°F	18-20h	4-6inch
Sunflower	21-26°C/69.8-78.8°F	16-18h	2-6inch
Cucumber	10-32°C/50-89.6°F	16-18h	4inch
Pepper	15-34°C/59-93.2°F	16-18h	4-6inch
Tom tomato	18-28°C/64.4-82.4°F	14-16h	4-6inch
Arugula	18-30°C/64.4-86°F	16-18h	4inch
Lettuce	15-20°C/59-68°F	16-20h	4-6inch

\*Note: The LetPot App provides detailed introductions for common plants. You can view more information through the app.

## 11. JOIN OUR COMMUNITY

### Where we share green lifestyle together

We believe, planting should be simple, technology and innovation should improve the gardening experience, and the green harvest should belong to everyone.

Come join LetPot's group to engage with other green thumbs, or find us through the live chat for better after-sale service, to build a fun and trustworthy smart gardening brand with us.

### Share Your Harvest and Win the Prize

Feel free to share your photos & videos related to LetPot on social media. It could be your plants, the joy of harvest, your LetPot stories, or even your gardening tips and experiences. Share all the happiness about the green way of life!

Post your content, tag the official LetPot account, and use the hashtag #letpot. We'll regularly select the best content then announce it on our official account, and reward it with LetPot's gifts or our newest products.

#letpot #letspotit #letpothydroponic



facebook  
(#LetPot)



Instagram  
(#letpot\_official)



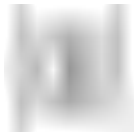
Pinterest  
(#LetPot)



YouTube  
(#LetPot)



TikTok  
(#LetPot)





★ Life-gardening

★ Eco-friendly

★ Technological



[www.letpot.com](http://www.letpot.com)

Service: [service@letpot.com](mailto:service@letpot.com)

Business: [business@letpot.com](mailto:business@letpot.com)